

Product Code: S-12183 dual-color

30 & 33-inch dual-color series fireclay single bowl farmhouse sinks with Integrated workstation



PRODUCT FEATURES

- **Fine Fireclay Construction:** Expertly crafted for lasting durability and a timeless aesthetic.
- **HPC™ Density Tech:** Utilizing High-Pressure Casting to achieve 30% higher density than traditional manufacturing methods.
- **1280°C HYPER-FIRING:** Processed in a 22-hour tunnel kiln for a surface that is exceptionally resistant to scratches, stains, chips, and thermal shock.
- **Reinforced Design:** Engineered to withstand the rigors of both professional culinary environments and residential kitchens.
- **Standard Drain:** Features a standard 3-1/2" drain opening.

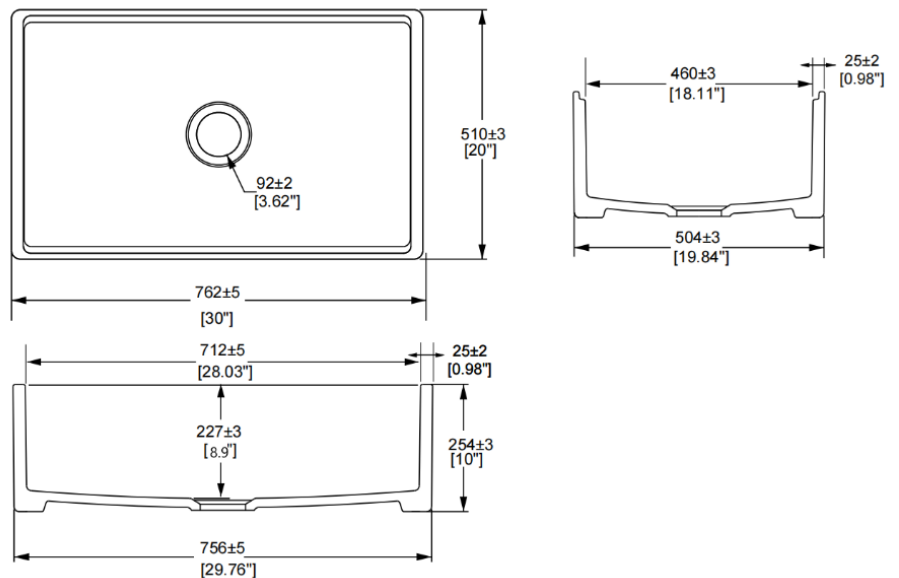
TECHNICAL INFORMATION

• **30" Sink Dimensions:**

30" x 20 1/16" x 10" (762*510*254 mm)

• **Please note tolerances on drawing.**

• **N.W.:** 41.25 KG



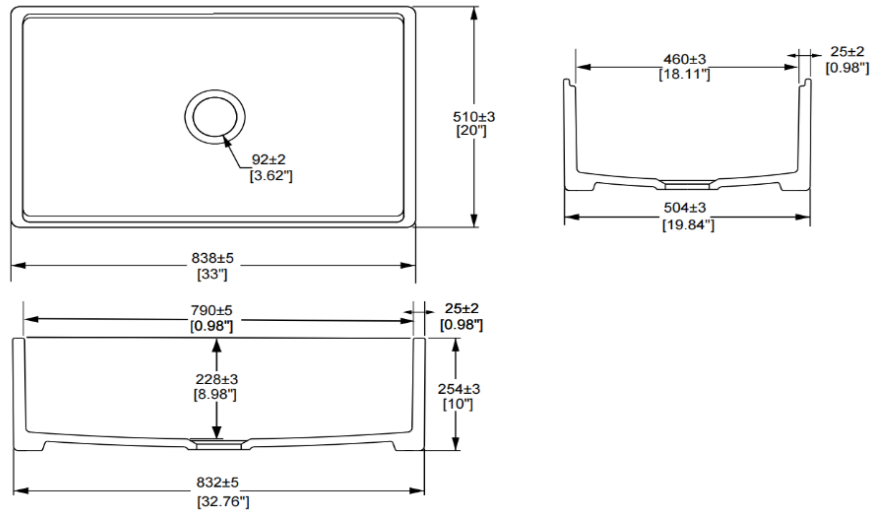
TECHNICAL INFORMATION

- **33" Sink Dimensions:**

33" x 20 1/16" x 10" (838*510*254 mm)

- **Please note tolerances on drawing.**

- **N.W.:** 50.8 KG



PARTS INCLUDED

- Roll-Up Dish Drying Rack
- Kitchen Sink Strainer
- Cutting Board

STANDARDS APPLICAB

- **cUPC** (Uniform Plumbing Code)
- **CE** (European Conformity)
- **UKCA** (UK Conformity Assessed)
- **WaterMark**